

WimTec® SMART



Touch-free activation

Comfortable and hygienic operation.



Automatic stop

Once you clear the detection range or after the adjusted flushing stop time has elapsed, the water will stop automatically. This saves energy and water.



Intelligent stagnation flush

An automatic stagnation flush is performed whenever the fitting has not been used for the duration of the adjusted flushing interval, thus preventing an uncontrolled rise in the number of bacteria in the drinking water system.

HyPlus Product version:

The operator can configure the flushing interval and the flushing duration to meet local hygienic requirements with even greater precision. Moreover, setting a minimum flushing duration within the flushing interval ensures regular and complete water exchange according to VDI/DVGW 6023.



Continuous flow

In order to ensure that a defined amount of water is released and to perform a disinfection flush, users can enable the continuous flow function via the close detection range of the infrared sensor.



Cleaning stop

For disabling the touch-free activation via the close detection range of the infrared sensor.

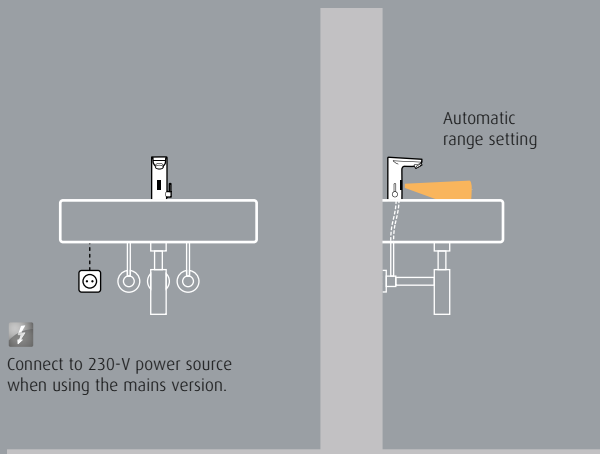


Simple to retrofit

Also available as a battery-powered version.



Assembly:



Function:

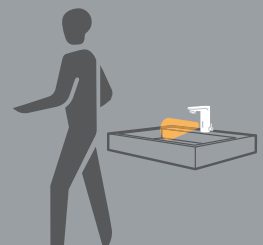
Water starts flowing

As soon as the infrared sensor recognises the user within the detection range.



Water stops flowing

Once the user clears the detection range or after the adjusted flushing stop time has elapsed.



Technical data:

WimTec SMART - 230 V:

Supply voltage: 230 V 50 Hz
 Power consumption: max. 0,2 W

WimTec SMART - 9 V:

Battery: 9-V alkaline 6LR22 or 6LF22
 optionally 6-V lithium CR-P2
 Battery life: 9-V alkaline – approx. 100,000 flushings (max. 2 years)
 6-V lithium – approx. 200,000 flushings (max. 4 years)

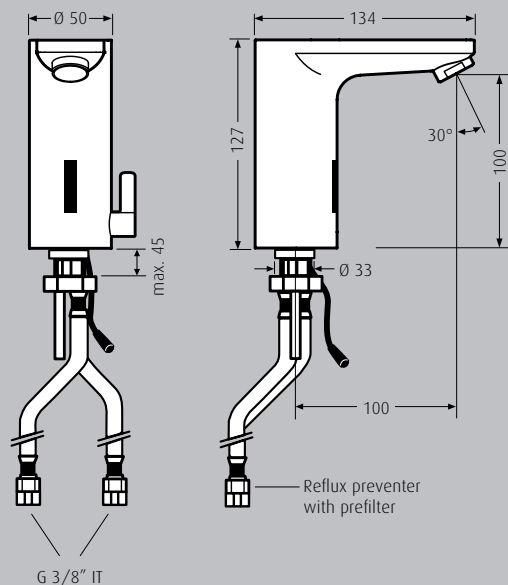
Further technical data:

Magnetic valve: cartridge 6 V
 Detection range: automatic
 Close detection range: approx. 3 cm
 Flushing stop time: adjustable from 10 s to 10 min
 Stagnation flush: can be enabled, flushing interval: after 3 h to 48 h of non-usage, flushing duration: 10 s or 20 s
 Continuous flow: can be enabled, for the duration of the flushing stop time
 Cleaning stop: can be enabled, for 3 min
 Flow pressure: 0.05 - 0.6 MPa (0.5 - 6 bar)
 Static pressure: max. 0.8 MPa (8 bar)
 Water temperature: max. 70 °C (max. 80 °C for max. 10 min)
 Flow rate: approx. 6 l/min (independent of pressure)
 Connection hoses: certified acc. to DVGW W 270 and DVGW W 543
 Noise class: I

HyPlus Product version:

Flushing stop time: 1 min or 10 min, adjustable
 Stagnation flush: can be enabled, flushing interval: after 0.5 h to 24 h, minimum flushing duration: 10 s to 180 s in the defined flushing interval, max. flushing performance when not used: **864 l/day**
 Jet regulator: laminar flow (no aeration)

Dimensions in mm:



Designation	Model	Material	Art. no.	PG
-------------	-------	----------	----------	----

Delivery scope WimTec SMART:

Tap housing with electronics module, 230-V power supply or 9-V battery, magnetic valve, connection hoses, dirt filter attachment for corner valve, mounting material and reflux preventer for mixed water version.



<p>WimTec SMART - HDM 230 V Touch-free high-pressure washbasin tap with mixer for mains operation.</p>	Standard	Chrome	108 729	1
	HyPlus	Chrome	122 473	1
<p>WimTec SMART - HDM 9 V Touch-free high-pressure washbasin tap with mixer for battery operation.</p>	Standard	Chrome	108 712	1
	HyPlus	Chrome	122 480	1



<p>WimTec SMART - HDK 230 V Touch-free high-pressure washbasin tap without mixer for mains operation.</p>	Standard	Chrome	108 705	1
	HyPlus	Chrome	122 459	1
<p>WimTec SMART - HDK 9 V Touch-free high-pressure washbasin tap without mixer for battery operation.</p>	Standard	Chrome	108 699	1
	HyPlus	Chrome	122 466	1



Accessories:				
WimTec flush-mount power supply - single-hole tap see page 200.			125 061	1



WimTec FIX WT - for single-hole taps			101 836	2
Washbasin assembly element for single-hole taps, see page 150 onwards.				

Further accessories and spare parts see page 200 onwards.